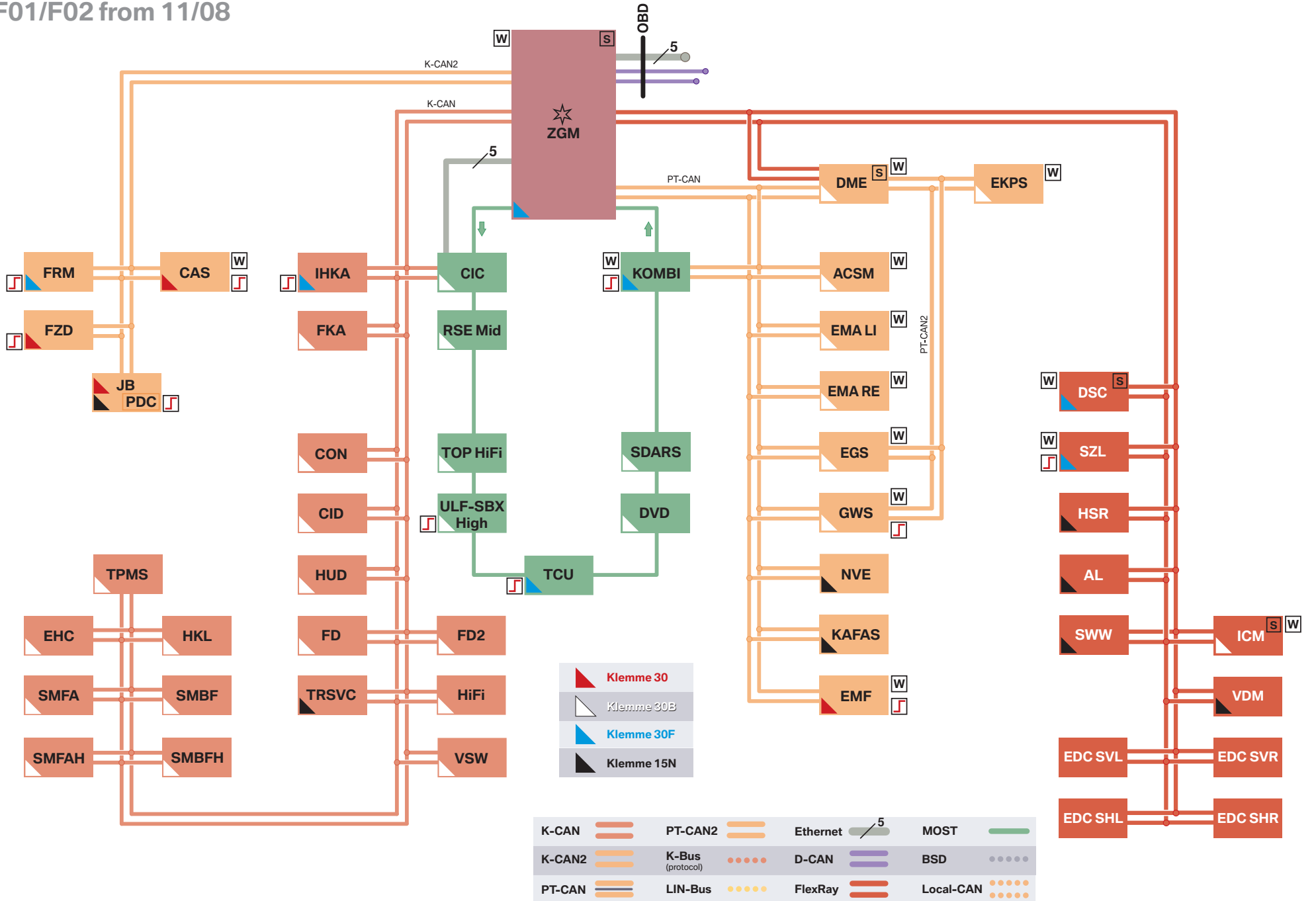






# 7 Series - Bus System Overview

F01/F02 from 11/08



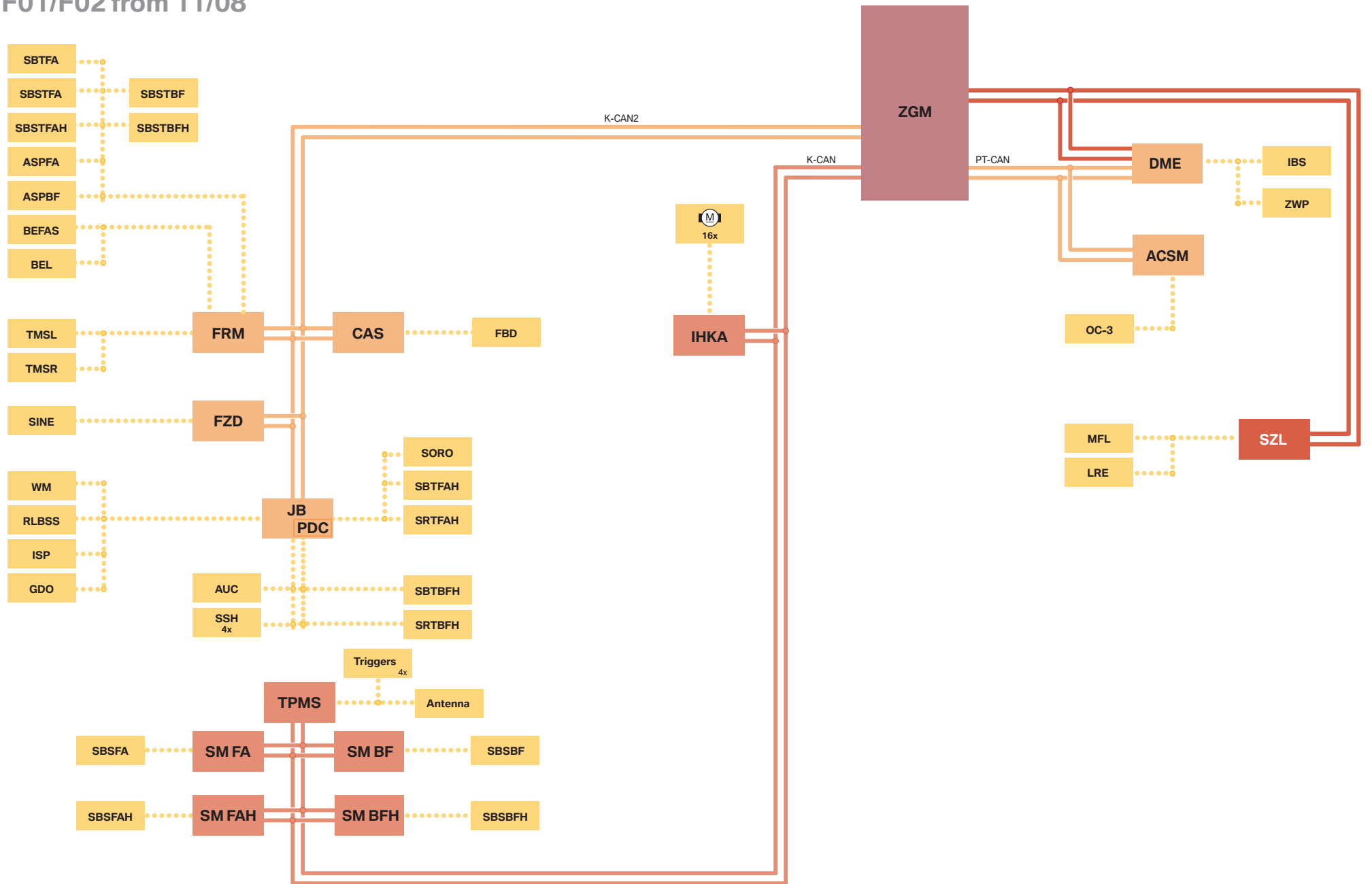
## F01/F02 Bus System Overview Legend

Index	Explanation	Index	Explanation
ACSM	Advanced Crash Safety Module	EKPS	Electric Fuel Pump
AL	Active Steering	EMA LI	Electrically motorized reel, left
CAS	Car Access System (CAS 4)	EMA RE	Electrically motorized reel, right
CIC	Car Information Computer	EMF	Electromechanical Parking Brake
CID	Central Information Display	FD	Rear Display
CON	Controller	FD2	Rear Display 2
DME	Digital Motor Electronics	FKA	Rear compartment, heating/air conditioning
DSC	Dynamic Stability Control	FRM	Footwell Module
DVD	Digital Video Disc	FZD	Roof Functions Center
EDC SHL	Electronic Damping Control (Satellite rear left)	GWS	Gear Selector Lever
EDC SHR	Electronic Damping Control (Satellite rear right)	HiFi	HiFi Amplifier
EDC SVL	Electronic Damping Control (Satellite front left)	HKL	Trunk Lid lift
EDC SVR	Electronic Damping Control (Satellite front right)	HSR	Rear axle drift angle control (Rear Steering Control module)
EGS	Electronic Transmission Control	HUD	Head Up Display
EHC	Electronic Height Control	ICM	Integrated Chassis Management

Index	Explanation	Index	Explanation
IHKA	Integrated Heating and Air Conditioning	SMFAH	Seat Module, driver's side rear
JB	Junction Box Electronics	SWW	Lane change warning (Active Blind Spot Detection)
KAFAS	Camera Assisted Driver Assistance Systems	SZL	Steering column switch cluster
KOMBI	Instrument Cluster	TCU	Telematics Control Unit
NVE	Night Vision Electronics	TOP-HIFI	TOP-HiFi Amplifier
PDC	Park Distance Control	TPMS	Tire Pressure Monitoring System
OBD	On Board Diagnostic Connector	TRSVC	Top Rear Side View Camera Module for rear/side view cam
RSE	Rear Seat Entertainment (Mid)	ULF-SBX High	Interface box, high version
SDARS	Satellite Radio	VDM	Vertical Dynamics Management
SMBF	Seat Module, passenger	VSW	Video Switch
SMBFH	Seat Module, passenger's side rear	ZGM	Central Gateway Module
SMFA	Seat Module, driver		
	Star coupler - distributor for the FlexRay connections in the central gateway module.		The wake-authorized control units are shown on the bus diagram by a rising-edge symbol.
	Startup node - control units responsible for starting up and synchronizing the FlexRay bus system.		The wake-capable control units are identified with a "W". These control units are woken up via a wake-up line.

# LIN-Bus System Overview

F01/F02 from 11/08



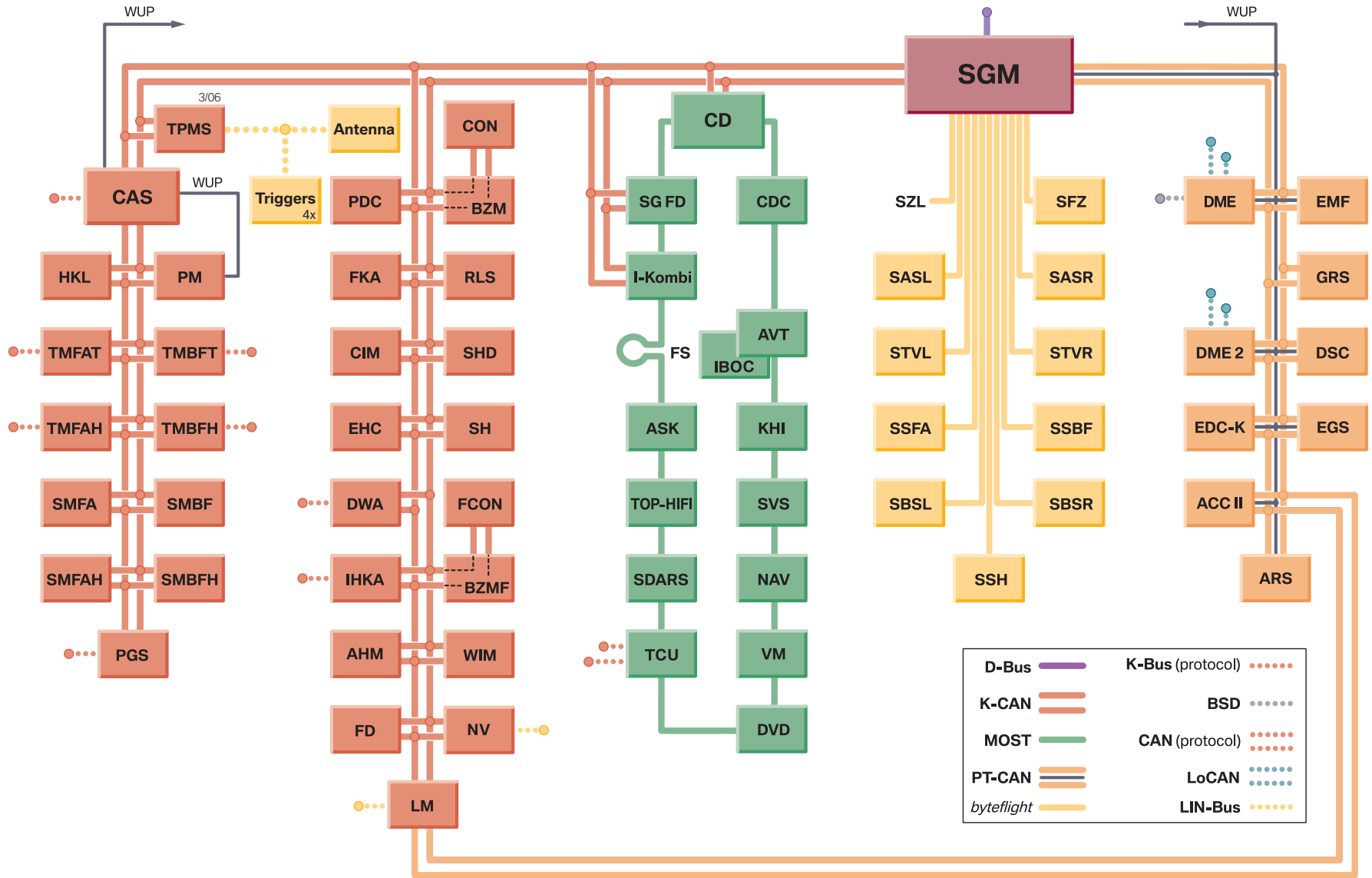
## F01/F02 LIN-Bus System Overview Legend

Index	Explanation
ACSM	Advanced Crash Safety Module
ASPBF	Outside mirror, passenger
ASPFA	Outside mirror, driver
AUC	Automatic recirculated air control
BEFAS	Driver assistance systems operating unit
BEL	Light operating unit
CAS	Car Access System
DME	Digital Motor Electronics
FBD	Remote Control Services
FRM	Footwell Module
FZD	Roof Functions Center
GDO	Garage door opener
IBS	Intelligent Battery Sensor
IHKA	Integrated Heating and Air Conditioning, automatic
ISP	Interior Mirror
JB	Junction Box Electronics
LRE	Steering Wheel Electronics
MFL	Multi-function Steering Wheel
OC-3	Seat Occupancy Detection, front passenger
PDC	Park Distance Control
RLSBS	Rain-light-solar-condensation sensor
SBSBF	Switch block for seat adjustment, passenger
SBSBFH	Switch block for seat adjustment, passenger's side rear
SBSFA	Switch block for seat adjustment, driver

Index	Explanation
SBSFAH	Switch block for seat adjustment, driver's side rear
SBSTBF	Switch block for seat memory, passenger
SBSTBFH	Switch block for seat memory, passenger's side rear
SBSTFA	Switch block for seat memory, driver
SBSTFAH	Switch block for seat memory, driver's side rear
SBTBFH	Switch block for windows, passenger's side rear
SBTFA	Switch block for windows, driver
SBTFAH	Switch block for windows, driver's side rear
SINE	Alarm Siren
SMBF	Seat Module, passenger
SMBFH	Seat Module, passenger's side rear
SMFA	Seat Module, driver
SMFAH	Seat Module, driver's side rear
SORO	Roller sunblind
SRTBFH	Roller sunblind switch, passenger's side rear
SRTFAH	Roller sunblind switch, driver's side rear
SSH	Seat heating switch
SZL	Steering column switch cluster
TMSL	Headlight module, left
TMSR	Headlight module, right
TPMS	Tire Pressure Monitoring System
WM	Wiper Motor/module
ZGM	Central Gateway Module
ZWP	Auxiliary water pump

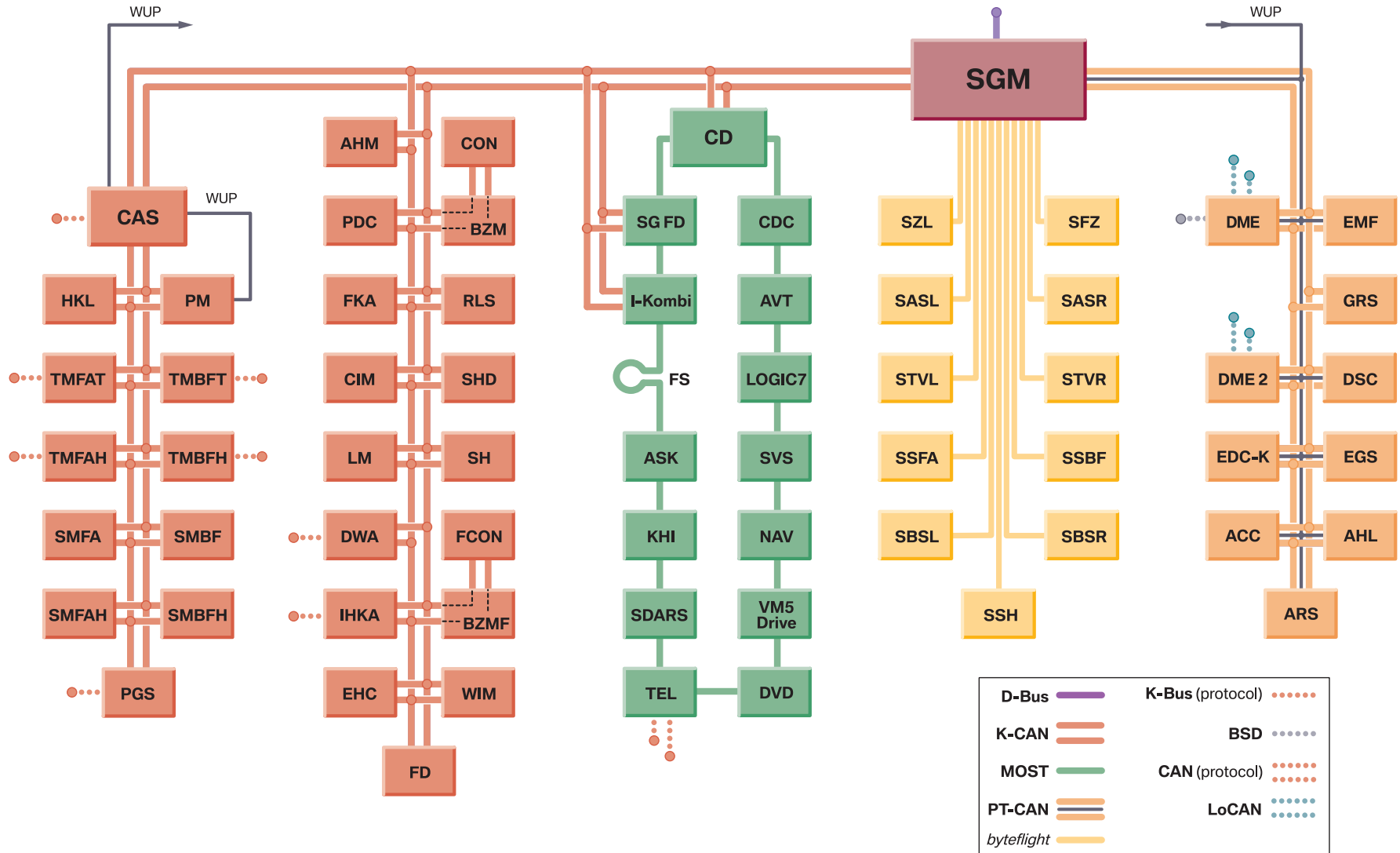
# 7 Series - Bus System Overview

E65/E66 from 3/05 - 8/08



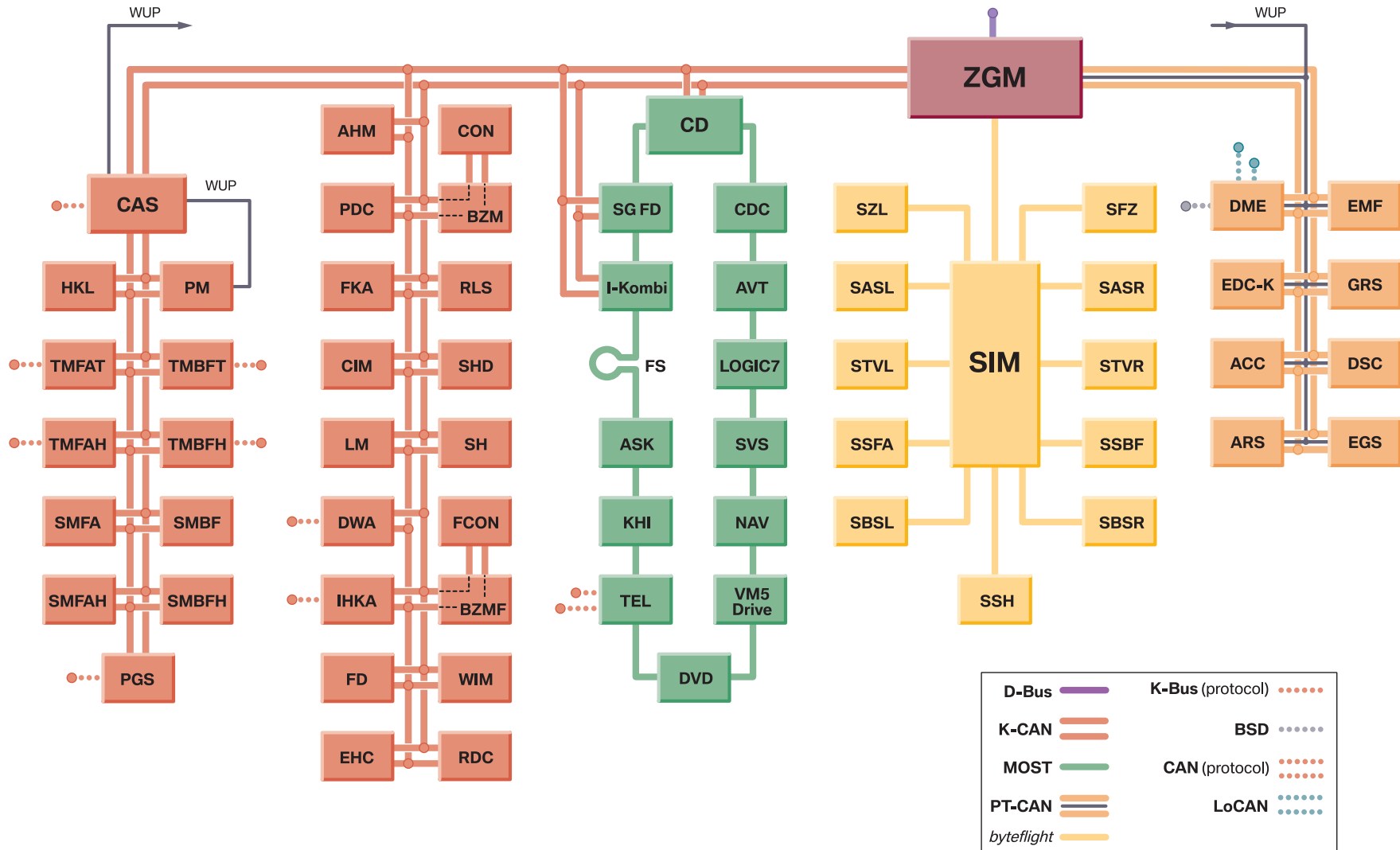
# 7 Series - Bus System Overview

E65/E66 from 4/04 - 2/05



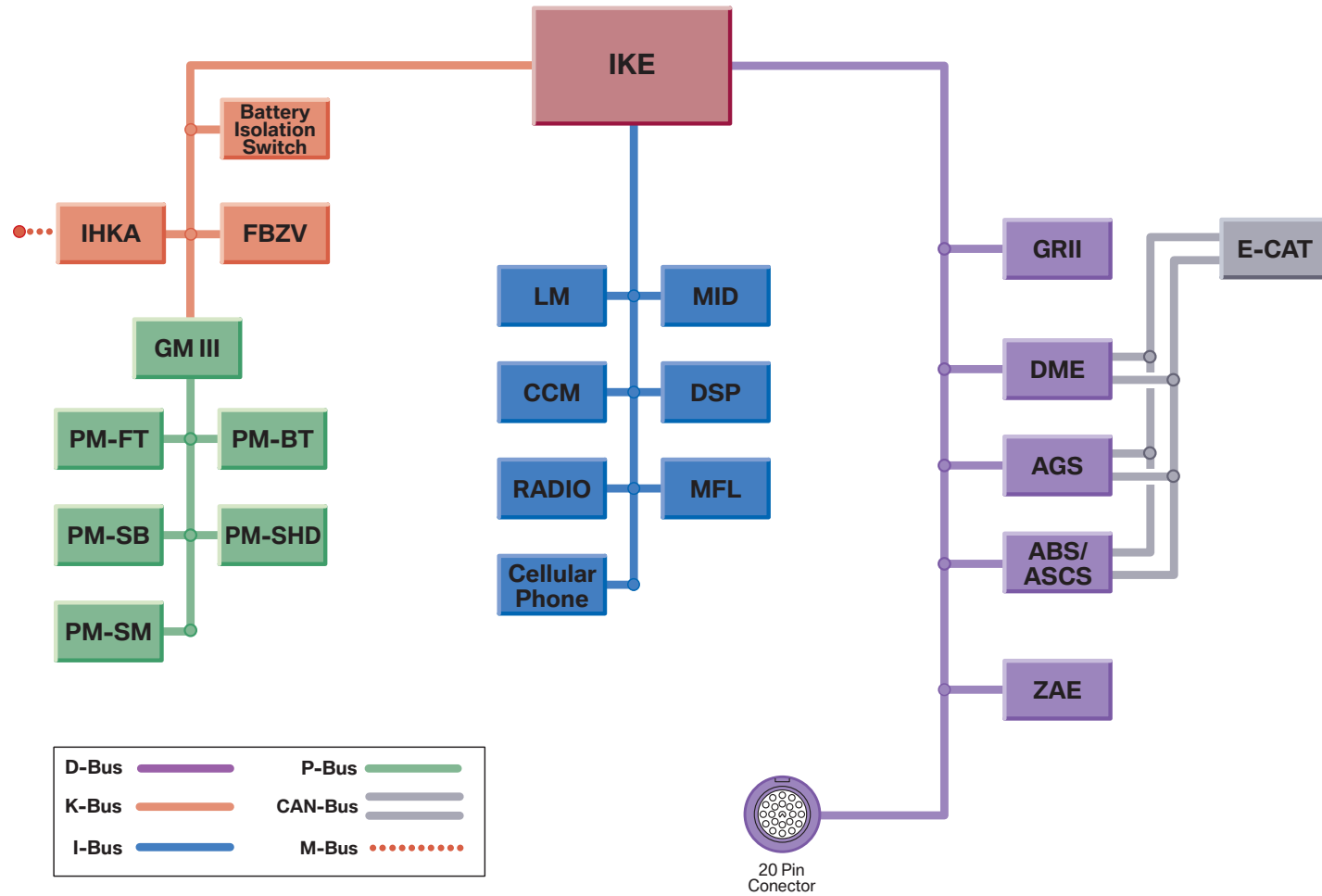
# 7 Series - Bus System Overview

E65/E66 up to 3/04



# 7 Series - Bus System Overview

E38 up to 2001



# 7 Series - Bus System Overview

E32 up to 1994

